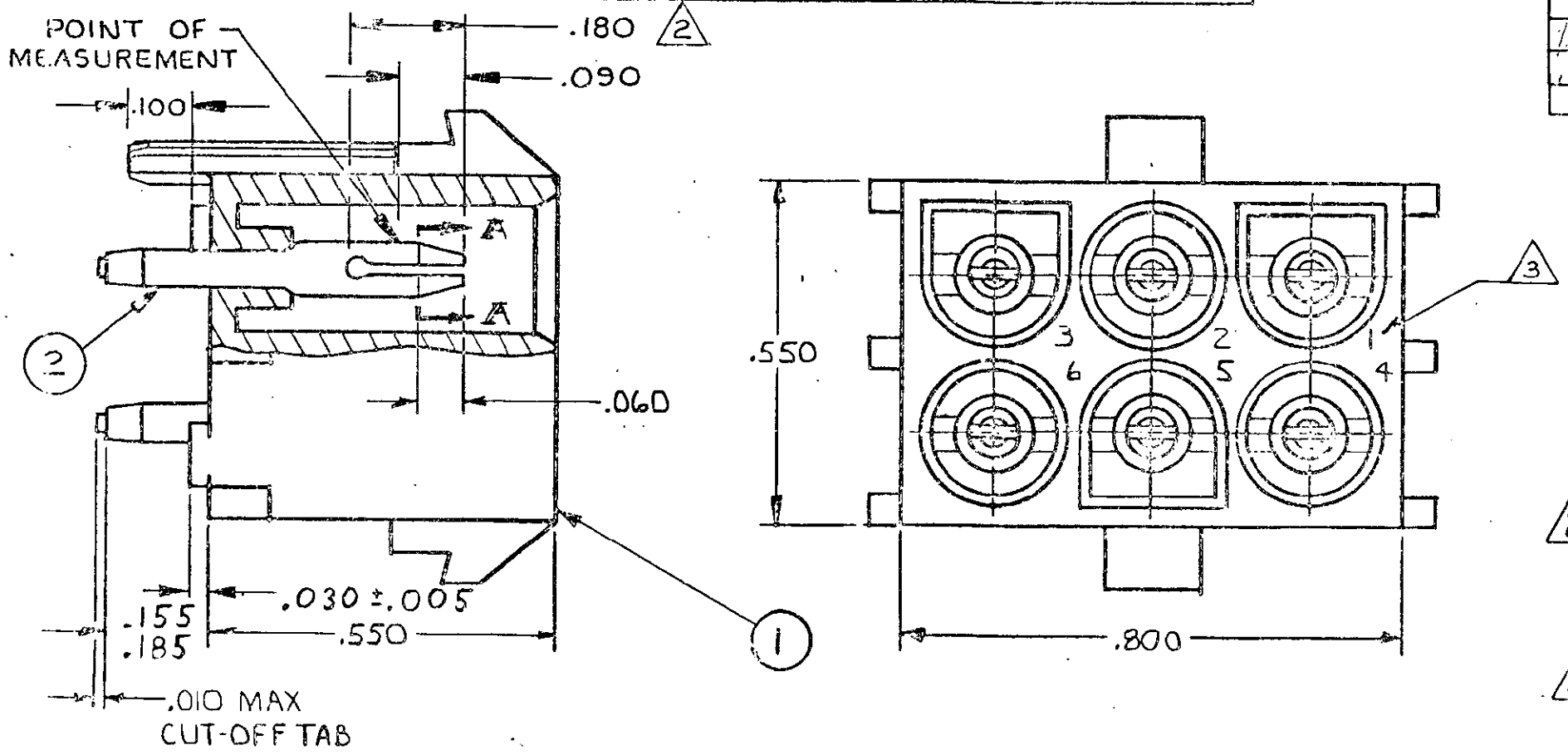


THIS DRAWING IS UNPUBLISHED. RELEASED FOR PUBLICATION . 19

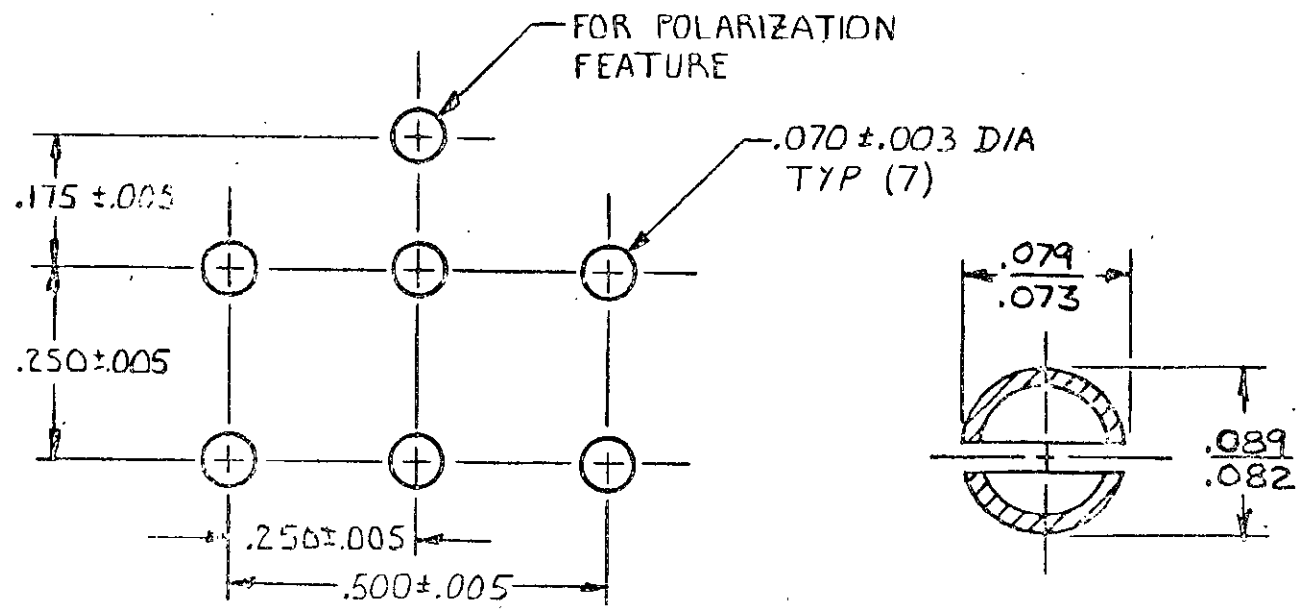
© COPYRIGHT 19 BY AMP INCORPORATED, HARRISBURG, PA. ALL INTERNATIONAL RIGHTS RESERVED. AMP PRODUCTS MAY BE COVERED BY U.S. AND FOREIGN PATENTS AND/OR PATENTS PENDING.

LOC CM DIST 53

REVISIONS						
P	F	ZONE	LTR	DESCRIPTION	DATE	APPROVED
1			J	REACT -1 PER PR CM 92-79	7-17-92	RS
2			K	REV PER ECN 0730-3928-92	1-7-93	RS
3			L	REVISED PER EC 0730-4181-93	7-6-93	RS
4			M	REVISED PER EC 0730-0111-95	8-28-95	RS



1. PARTS COMPLY WITH AMP SOLDERABILITY SPEC 109-11-3.
2. CONTACT IS PLATED OVERALL WITH .000050 NICKEL, THEN .000030 GOLD OVER CONTACT LENGTH INDICATED AND MATTE TIN ON SOLDER TAIL END.
3. CIRCUIT IDENTIFICATION CHARACTERS ARE ADJACENT TO THE INDICATED CAVITIES, BUT LOCATION AND ORIENTATION MAY DIFFER FROM PRINT.



RECOMMENDED LAYOUT FOR .062 THICK P.C. BOARD

PRE-TIN	PHOS. BRZ	6	CONTACT 2	641969-1
NATURAL	NYLON 94V-2	1	HOUSING 1	
FINISH	MATERIAL	NO PER ASSEMBLY	ITEM NO	PART NO

UNLESS OTHERWISE SPECIFIED DIMENSIONS ARE IN INCHES. TOLERANCES ON: DECIMALS ± .015 ANGLES ±	CONTRACT NO	AMP INCORPORATED Harrisburg, Pa.	
	DR <i>M. Fisher 11-10-81</i>	NAME PIN HEADER ASSEMBLY, UNIVERSAL MATE-N-LOK™, 6 CIRCUIT	
MATERIAL SEE TABLE	CHK <i>D.S. Heide 11/25/81</i>	SIZE B	FSCM NO 00779
FINISH SEE TABLE	APPD <i>C.E. ... 11/25/81</i>	DRAWING NO 641969	SHEET
	DSGN APPD	SCALE 4-1	
	OTHER APPD		